



BVAM5
*One Input/Four Output
Video Signal Amplifier*

BVAM7
*One Input/Seven Output
Video Signal Amplifier*

**Congratulations on your purchase
of a  Video Signal Amplifier.**

It has been designed, engineered
and manufactured to bring you the
highest level of performance and
quality, and will afford you years of
viewing pleasure.

Thank you for making  your
choice for car video entertainment!

USER'S MANUAL

<i>page</i>	CONTENTS
2	General precautions
2	Safety precautions
2	Why use a video signal amplifier?
3	Installation precautions
3	Installation
3	Adjusting the video signal level
4	Controls and features: BVAM5
5	Controls and features: BVAM7
6	System Wiring: BVAM5
7	System Wiring: BVAM7
8	Specifications

General precautions

Please read this manual completely and carefully prior to attempting to install your new **BOSS** mobile video equipment. Installed correctly, your **BOSS** equipment will provide you with years of enjoyable and safe usage.

Installation of this equipment in any portion of a vehicle which impairs or distracts the driver is improper and dangerous. **BOSS** assumes no liability whatsoever for failure to follow the proper installation of this product.

Please keep this manual in a safe place for future reference.

Safety precautions

- Do not operate any mobile video equipment while driving – safe driving should always be your highest priority.
- This product should not be installed in a system which allows the monitor screen to be visible to the driver of the vehicle. In some states and countries, the viewing of images on a screen inside a vehicle is illegal, even by people other than the driver. Be sure that the installation and operation of this system is in compliance with local rules and regulations.
- Do not open or attempt to repair this unit yourself. Refer any repairs to a qualified service technician.
- If there is smoke or any peculiar odor present during use or if there is damage to any of the component enclosures, immediately remove it from your system and send to your local dealer or service center as soon as possible.

Why use a video amplifier?

The BVAM5 and BVAM7 Video Signal Amplifiers can play a critical role in your mobile video system.

With the wide range of DVD players, video games and monitors available, users often find that the video signal level is not well matched to their chosen monitor. This frequently occurs in systems where more than one monitor is present.

In such multi-monitor systems, the video signal from your DVD player (or other video source) must be split and routed to the monitors, resulting in a drop in signal strength to all the monitors affected.

Typically, a monitor receiving a video signal whose strength is inadequate will display an image too dark or unclear for satisfactory viewing.

By installing a multi-channel video signal amplifier like the BVAM5 or BVAM7, you can independently amplify the signal being sent to each monitor. Each channel has its own output level control, so the signal level can be custom-catered to the particular requirements of each monitor. This can be critical when there are different brands and sizes of monitors in the same system.

The function and performance of the BVAM5 and BVAM7 are identical, except that the BVAM5 deliver four separate video outputs and the BVAM7 delivers seven outputs.

Installation precautions

Choose a mounting location in your vehicle which is protected from foot traffic and passengers who might accidentally disconnect the cables. Be sure you can see each of the monitors from the mounting location if you intend to make the level adjustments without an assistant.

Do not install the video signal amplifier in areas which are susceptible to rain, moisture, direct sunlight, extreme heat or cold, excessive dust, dirt or humidity.

If installation requires drilling holes or other modifications to the vehicle, consult with your nearest dealer or professional car audio installer.

Use only the installation parts and hardware provided with the unit to ensure proper installation. Using other parts can cause malfunction and possible damage to your video monitor or other components in your mobile video system.

Use only a power source with 12 Volts DC (negative ground).

Before final installation, temporarily connect the wiring according to the diagram near the end of this manual, check it to ensure that it has been connected properly, and test the unit to make sure it is working correctly.

Installation

Mount the video amplifier in a suitable location.

Connect the RCA video input and output cables to the amplifier as shown in the wiring diagram.

Adjusting the video signal level

Before starting, rotate the output level controls on your new video signal amplifier to MINIMUM.

Turn on the video monitor whose video input signal you wish to amplify.

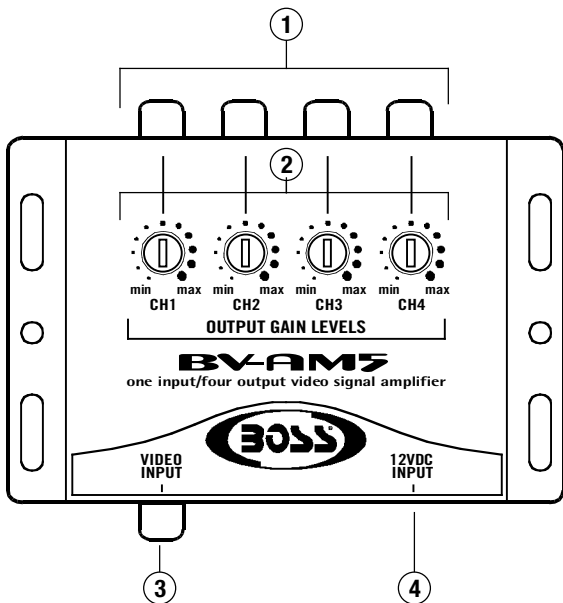
Turn on your DVD player (or other video source), and play a familiar video program.

At the MINIMUM setting, your monitor image is probably dark and unsatisfactory to view. Now slowly increase the output gain level for that monitor, until the picture is clear and bright. Continue to increase the gain level until you begin to see lines or other undesirable characteristics in the picture.

Finally, reduce the gain level back to the point where you feel the picture is best from the standpoint of color, brightness, and freedom from defects. Leave the control set at this level.

Repeat this process with the other monitors in your mobile video system.

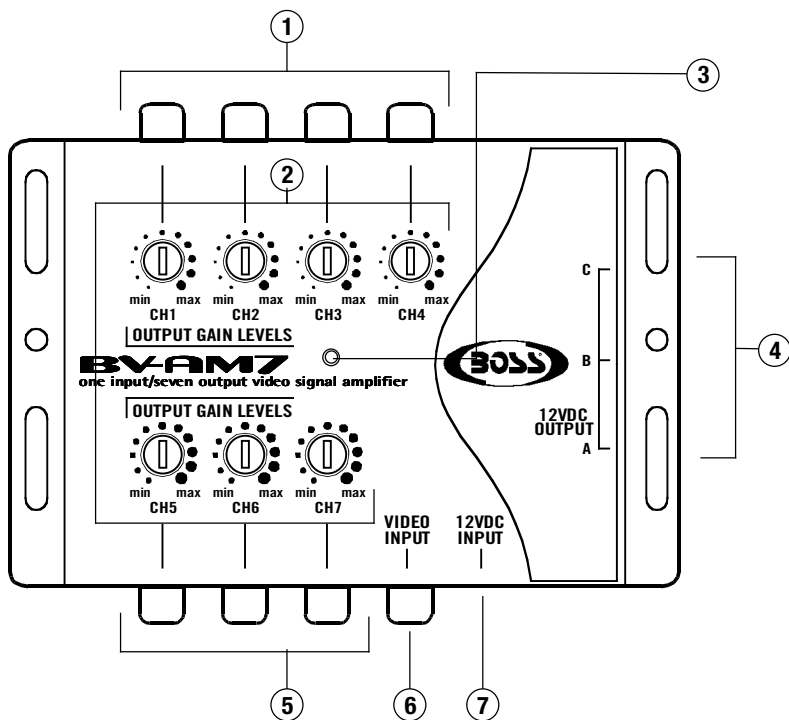
Controls and Features: BVAM5



- 1 VIDEO OUTPUTS**
Connect your monitor(s) to these connectors using high-quality RCA video cables.
- 2 OUTPUT GAIN LEVEL CONTROLS**
Adjust these independently to get the best possible picture quality on each monitor.

- 3 VIDEO INPUT JACK**
Using a high-quality RCA video cable, connect the DVD player (or other video source) to this input jack.
- 4 POWER CONNECTIONS**
Follow the wiring diagram to properly connect the BVAM5 to your vehicle battery and chassis ground.

Controls and Features: BVAM7



① VIDEO OUTPUTS

⑤ Connect your monitor(s) to these connectors using high-quality RCA video cables.

② OUTPUT GAIN LEVEL CONTROLS

Adjust these independently to get the best possible picture quality on each monitor.

③ POWER LED

④ 12VDC POWER OUTPUTS

Three connections are available for powering additional video signal amplifiers or other video accessories.

⑥ VIDEO INPUT JACK

Using a high-quality RCA video cable, connect the DVD player (or other video source) to this input jack.

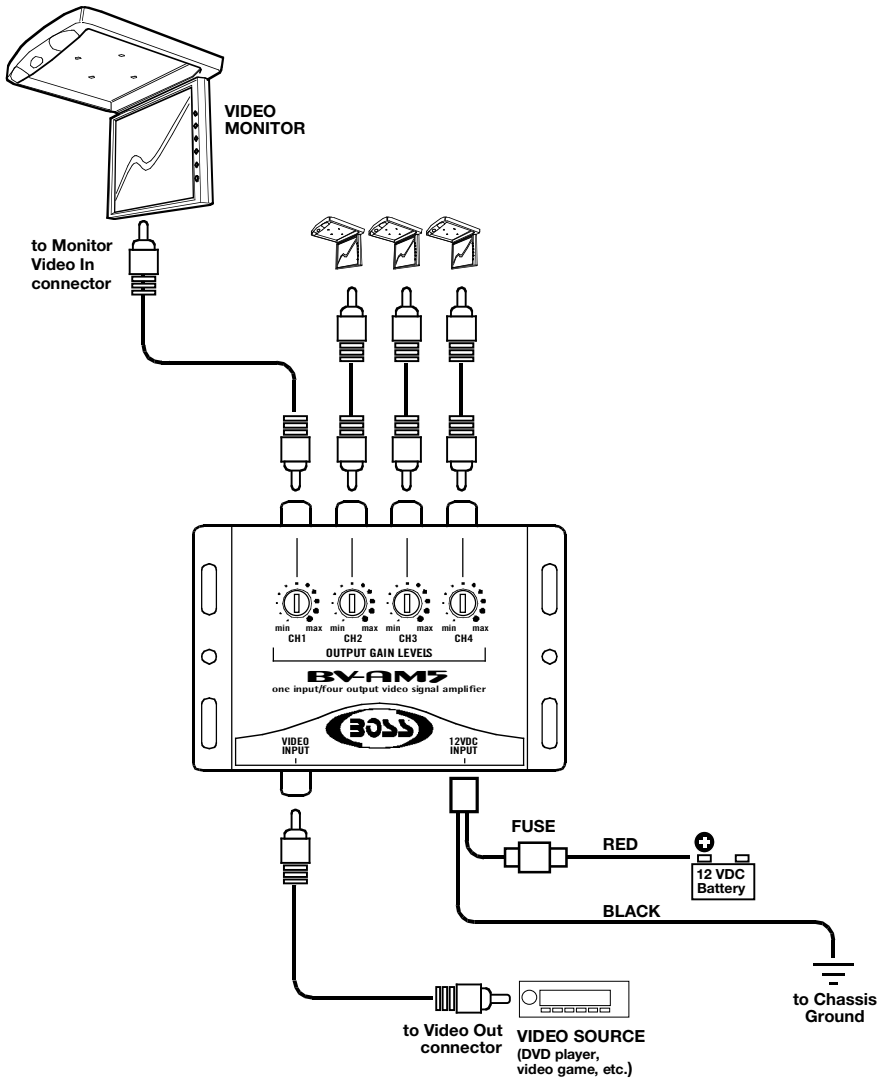
⑦ INPUT POWER CONNECTIONS

Follow the wiring diagram to properly connect the BVAM7 to your vehicle battery and chassis ground.

System wiring: BVAM5

Connect the monitors and video input source in your system to the BVAM5 using high-quality RCA video cables as shown.

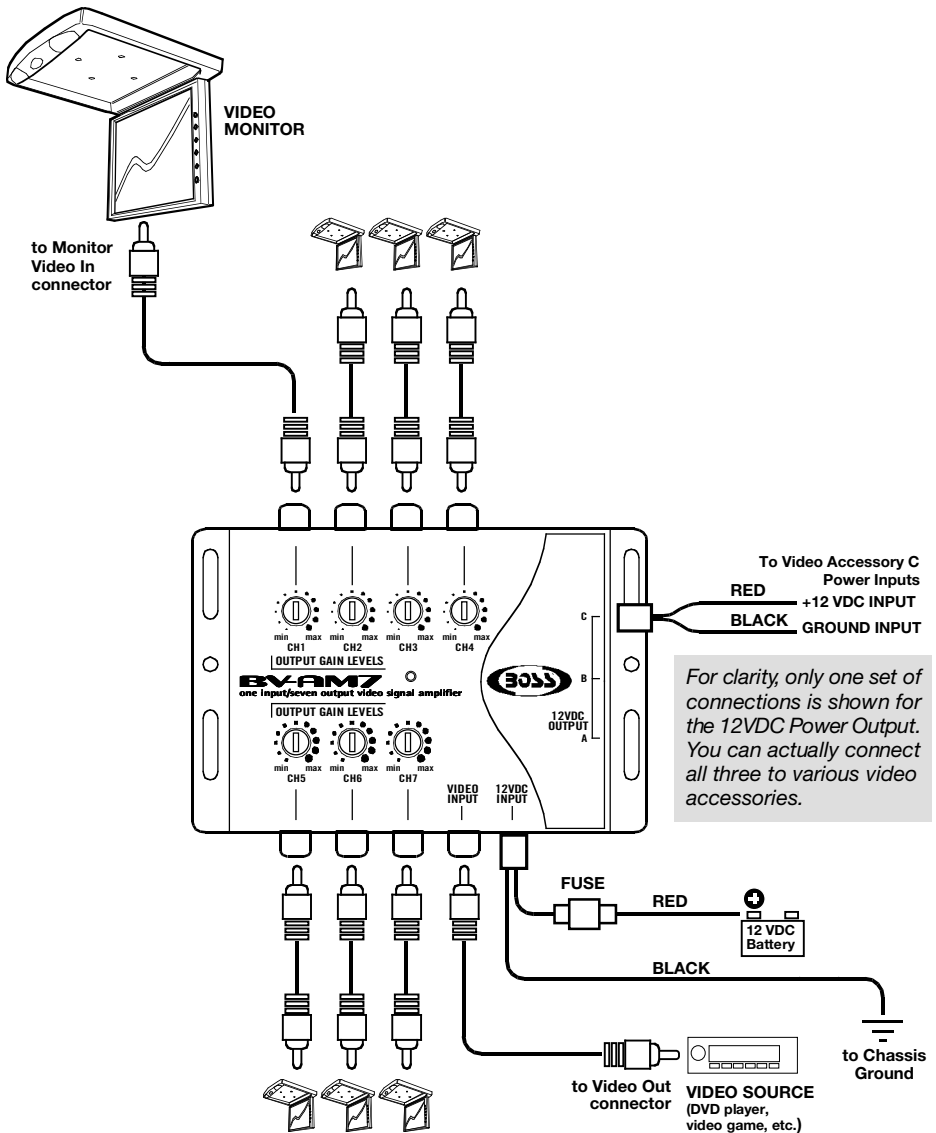
When making the power input connections, be sure to make your (+) connection directly to the car battery or to a distribution block mounted near the battery. Also, make sure that your ground connection is to a clean, paint-free metal chassis point.



System wiring: BVAM7

Connect the monitors and video input source in your system to the BVAM7 using high-quality RCA video cables as shown.

When making the power input connections, be sure to make your (+) connection directly to the car battery or to a distribution block mounted near the battery. Also, make sure that your ground connection is to a clean, paint-free metal chassis point.



Specifications



MODEL	BVAM5 <i>One Input/Four Output Video Signal Amplifier</i>	BVAM7 <i>One Input/Seven Output Video Signal Amplifier</i>
VIDEO AMPLIFIER		
Number of outputs	4	7
Video input level	2.0Vp-p	2.0Vp-p
Video output level	0.5-1.5Vp-p	0.5-1.5Vp-p
Output impedance	750 Ohms	750 Ohms
Type of level controls	Variable	Variable
GENERAL		
Power requirements	12V DC	12V DC
Dimensions (L x W x H)	3-1/4" x 2-11/16" x 3/4"	4-1/16" x 3-1/4" x 3/4"

All specifications subject to change without notice.